

**Surface Mount Bottle
Fillers**



NOTES TO INSTALLER:

1. Please leave this documentation with the owner of the fixture when finished.
2. Please read this entire booklet before beginning the installation.
3. Check your installation for compliance with plumbing, electrical and other applicable codes.

LIMITED WARRANTY - UNITED STATES & CANADA

Murdock warrants that its products are free from defects in material or workmanship under normal use and service for a period of one year from date of shipment from the factory. Murdock's liability under this warranty shall be discharged solely by repair or replacement of defective material, provided Murdock is notified in writing within the time periods described above.

This warranty does not cover installation or labor charges and does not apply to materials, which have been damaged by other causes such as mishandling or improper care or abnormal use. The repair or replacement of the defective materials shall constitute the sole remedy of the Buyer and the sole remedy of Murdock under this warranty. Murdock shall not be liable under any circumstances for incidental, consequential or direct charges caused by defects in the materials, or any delay in the repair or replacement thereof. This warranty is in lieu of all other warranties expressed or implied. Product maintenance instructions are issued with each unit and disregard or non-compliance with these instructions will constitute an abnormal use condition and void the warranty. Stainless steel must be protected on jobsite during construction and must be properly maintained after the water has been introduced into the water cooler or drinking fountain, or Murdock's limited warranty is void.

LIMITED EXPORT WARRANTY - One year on parts only.

Murdock™ assumes no responsibility for use of void or superseded data. © Copyright Murdock Mfg., City of Industry, CA Member of Morris Group International. Please visit www.murdockmfg.com for most current specifications.

COMPLIES WITH
STANDARDS



Federal
Public Law
111-380
(No Lead)



murdock[®]

PRIOR TO INSTALLATION

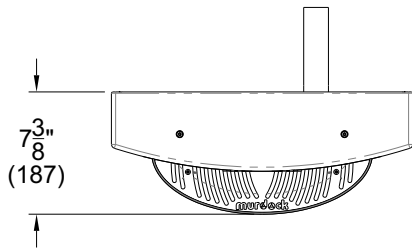
Important: Some options may slightly alter installation. To ensure proper installation, review the manual thoroughly and verify rough-ins before beginning any work. File this Manual with the owner or maintenance personnel upon completion of installation.

- Fixture mounting requirements: Industry standard wall construction, adequate to support the fixture and (installer provided) wall anchors sufficient to secure the fixture.
- Completely flush supply of all foreign debris before connecting to fixture. Bottle Filler is designed to provide trouble-free drinking water unaffected by fixture connection tubing and fittings and not cause problems with taste, odor, color or sediment.

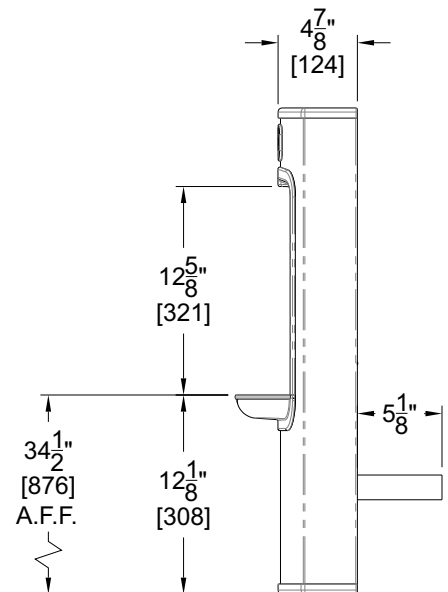
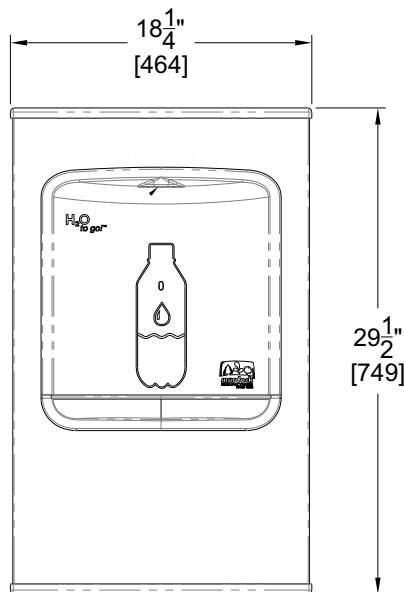
DIMENSIONAL DRAWING

Prior to roughing in, consult with local, state, and federal codes for proper mounting height.

Surface Mounted Bottle Filler

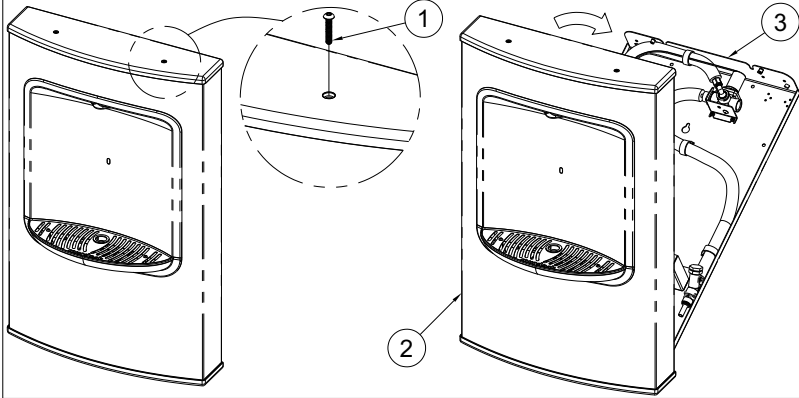


GENERAL NOTES:
1. ALL DIMENSIONS ARE IN INCHES (MM)



INSTALLATION INSTRUCTIONS:

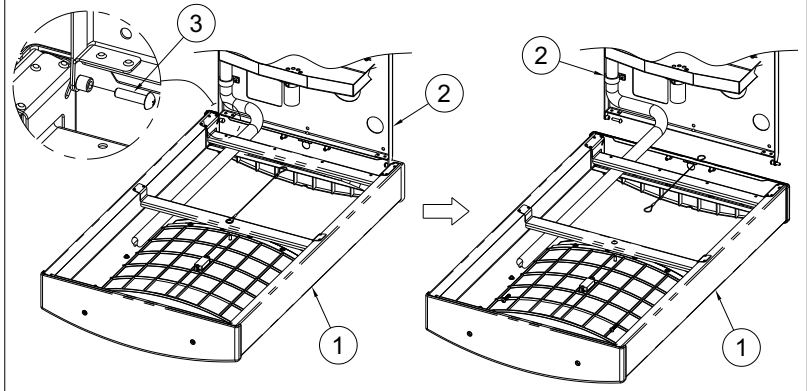
1 Place unit onto a horizontal surface. Unscrew Top Screws with 1/8" Allen Wrench (not included) and place in a secure location for later use. Swing Mounting Channel away from Bottle Filler Housing.



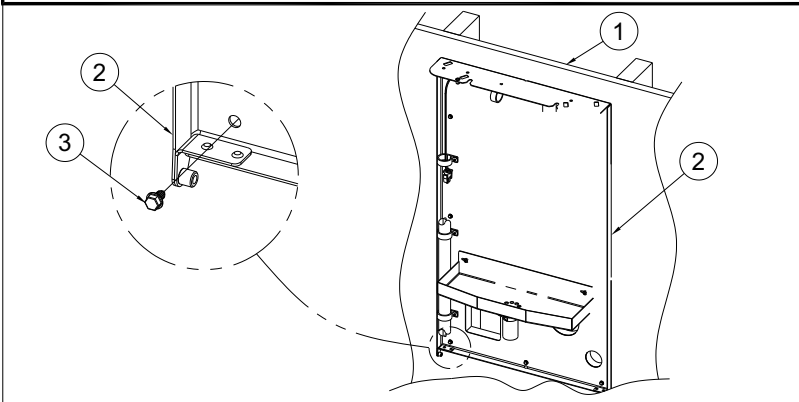
- ① #10-32 x 1" Allen Button Head Screw
- ② Bottle Filler Housing
- ③ Mounting Channel

- ① Bottle Filler Housing
- ② Mounting Channel
- ③ #10-32 x 3/4" Phillips Round Head Screw

2 Remove Bottle Filler Housing from unit by removing one Screw from the Hinge and sliding the Bottle Filler Housing out. Set aside for later use in the installation.



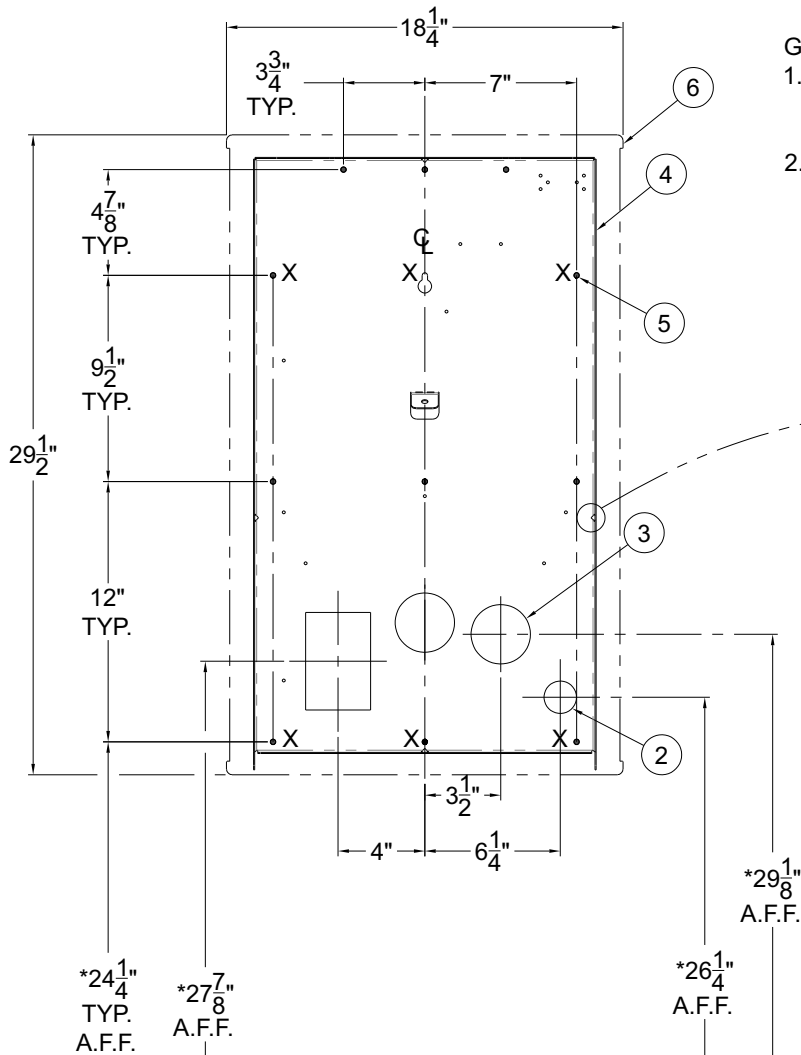
3 Locate and attach Mounting Channel to finished wall. Secure Mounting Channel with Anchoring Hardware, provided by installer. See step four for rough-in layout.



- ① Finished Wall
- ② Mounting Channel
- ③ Anchoring Hardware, by others

INSTALLATION INSTRUCTIONS CONTINUED:

4 Provide wall openings as indicated in rough-in detail provided, ensuring to block out the electrical service rough and Waste outlet for 1-1/2" P-Trap. Use Mounting Panel as template.



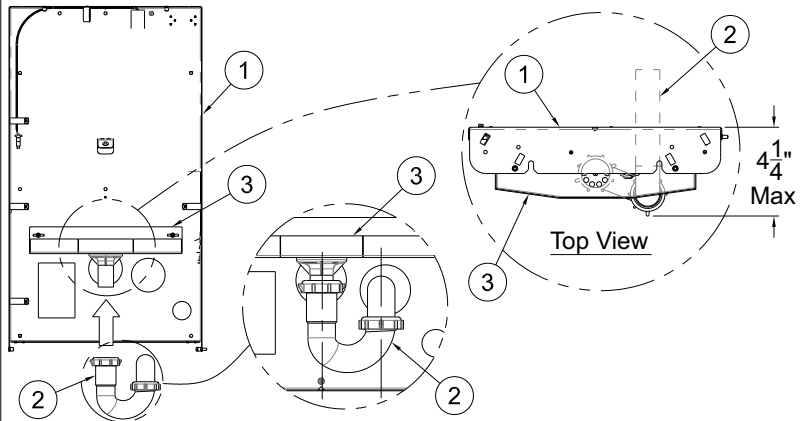
General Notes:

1. Dimension indicated with (*) is for 34-1/2" deck height. Adjust accordingly for preferred deck height.
2. Anchoring is required for holes marked with (X). Auxiliary holes available if required.

- ② Supply Inlet
- ③ Waste Outlet for 1-1/2" P-Trap
- ④ Mounting Panel
- ⑤ Ø1/4" Holes, for Anchoring Hardware, by others
- ⑥ Housing, Shown for Ref.

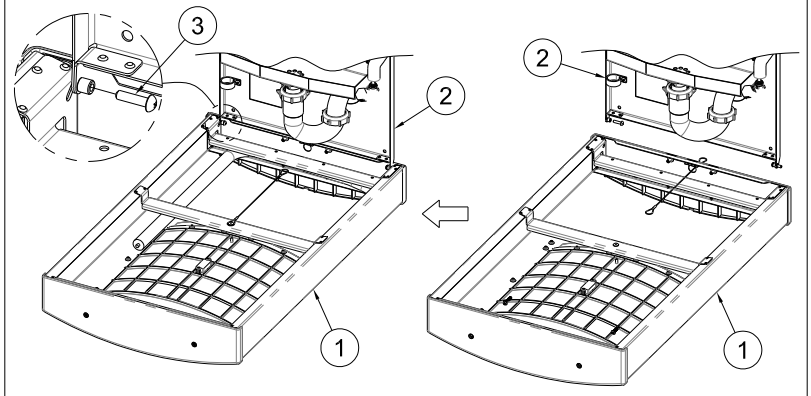
INSTALLATION INSTRUCTIONS CONTINUED:

5 With the Mounting Panel secured to finished wall, install P-Trap Waste Outlet. P-Trap must not extend more than 4-1/4" from finished wall.



- ① Mounting Panel
- ② P-Trap
- ③ Drain Tray

6 Re-mount Bottle Filler Housing by reversing steps taken in Step 2.



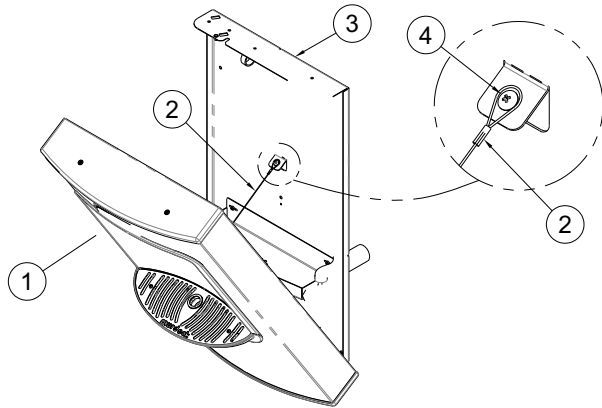
- 1 Bottle Filler Housing
- 2 Mounting Panel
- 3 #10-32 x 3/4" Phillips Round Head screw

7 Connect 15mm female 1/2" connector on water valve to your supply pipework, connect pipework on outlet to connector on valve



INSTALLATION INSTRUCTIONS CONTINUED:

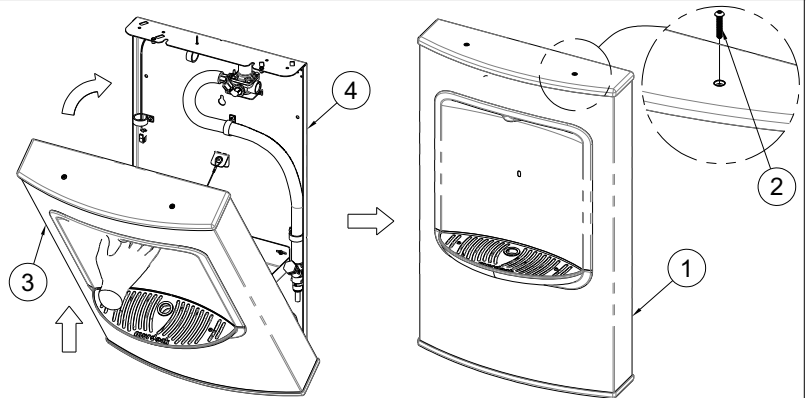
8 With fixture tested, hook Lanyard from Bottle Filler Housing to Mounting Panel and tighten Screw.



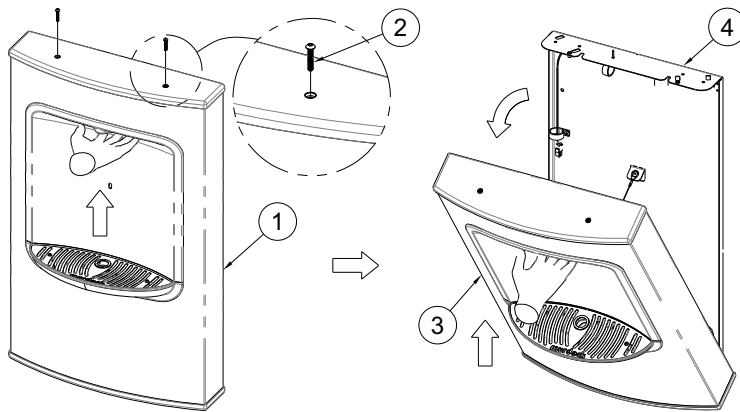
- ① Bottle Filler Housing
- ② Lanyard
- ③ Mounting Panel
- ④ Lanyard Mounting Screw

9 Lift up from Fill Spout area to close the unit by swinging Bottle Filler Housing up and secure with Screws from step 1. Do not force closed. Address any interference if necessary. Do not over-tighten.

- ① Bottle Filler Assembly
- ② #10-32 x 1" Allen Button Head Screw
- ③ Bottle Filler Housing
- ④ Mounting Panel



10 To open unit for maintenance purposes, remove Top Screws. Lift Bottle Filler Housing up from Fill Spout area then pull away from wall.



- ① Bottle Filler Assembly
- ② #10-32 x 1" Allen Button Head Screw
- ③ Bottle Filler Housing
- ④ Mounting Panel

START UP:

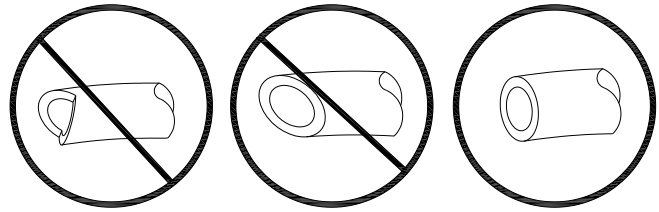
1. Air within the Bottle Filler System or the structure supply piping will cause an irregular Spout outlet stream until purged out by incoming water. Hold cup (or similar object) directly below Filler Spout is recommended when first activating Bottle Filler to prevent excessive splashing. Activate valve until steady water stream is achieved.

PUSH-IN FITTING INSTALLATION

NOTE: FITTINGS AND TUBE SHOULD BE KEPT CLEAN, BAGGED AND UNDAMAGED PRIOR TO INSTALLATION.

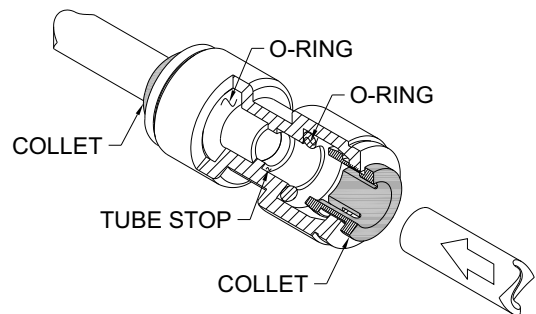
TO CUT TUBE:

Cut to fit length of 1/4" PE Tubing and remove any burrs or sharp edges. Ensure that the outside diameter is free from score marks. Tube ends should be square.

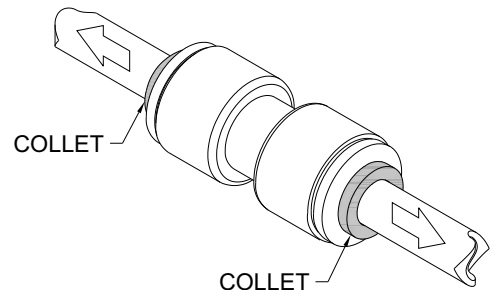


INSERTING THE TUBE:

1. Firmly and fully insert the Tubing end into the Push-In Fitting up to the Tube Stop located approximately 1/2" deep.



2. Pull on the fitted Tubing to ensure it is secure. Tube should not come free from the Fitting. Water test the connection assembly prior to leaving the site to ensure there are no leaks.



DISCONNECTING THE TUBE:

Prior to disconnecting the Tube from the Fitting, ensure that the water line is depressurized. Push Collet Square towards the Push-In Fitting Body and hold. While holding the Collet in, pull on the PE Tubing to remove from the Push-In Fitting.

